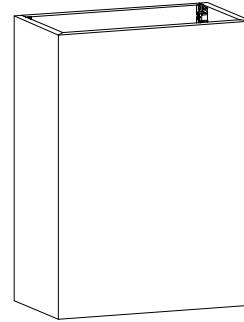




**Wall Mounted Range Hood  
Chimney**



Patent Pending

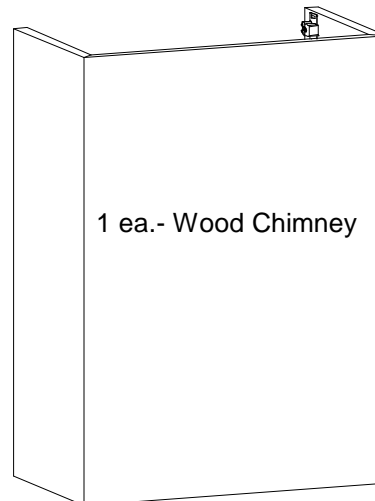
**Important Notes**

- Always read the instructions completely and carefully before beginning assembly.
- Remove and check contents for damage and/or missing parts. Keep the original cartons and packing materials, which are required for any authorized adjustment by our dealers.
- These instructions are for reference only. Make sure installation procedures comply with all applicable building codes in your area.

**Parts List**



2 ea.- Chimney Mounting Blocks

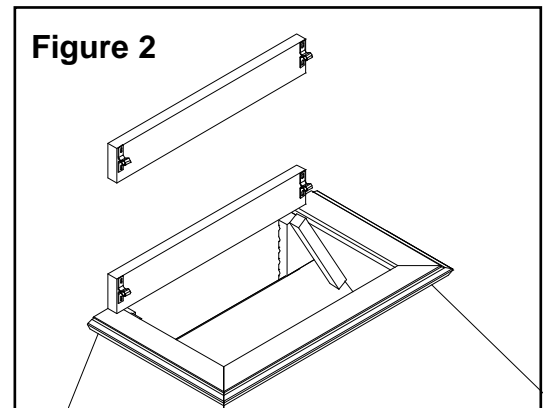


10-0588-1 VS-48

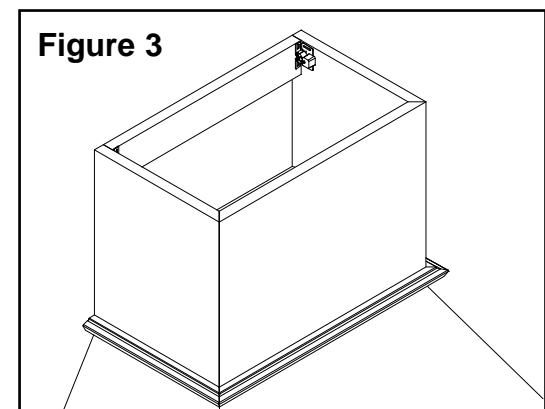
## Assembly Instructions

**Step 01:** Determine the height of the Chimney and cut to length. Make sure to note position of metal fasteners before cutting. Reposition the roller catches if necessary

**Step 02:** Determine where the Chimney Mounting Blocks should be located and mount securely to the wall (See figure 11).



**Step 03:** Snap the Chimney to the Chimney Mounting Blocks and trim out as necessary (See figure 12). Matching Trim Moulding #M1008 is available from Omega Industries, Inc.



 **Omega  
Industries, Inc.**  
1010 Rowe St.  
Elkhart, IN 46516  
(574) 295-5353 Fax (800) 367-3329

10-0588-2 VS-48