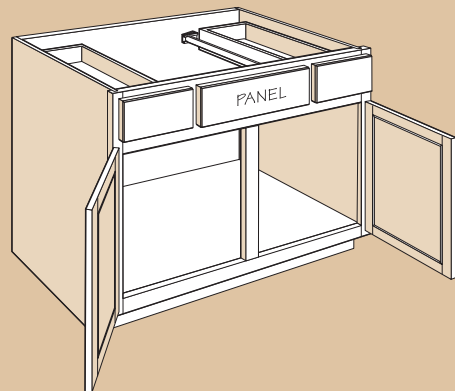
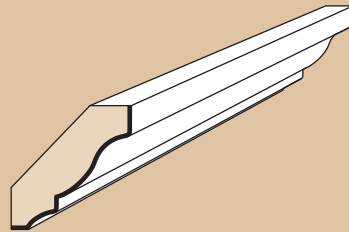
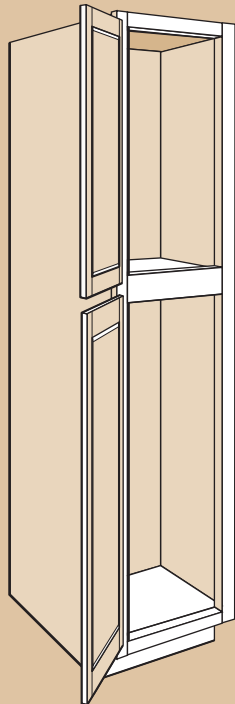
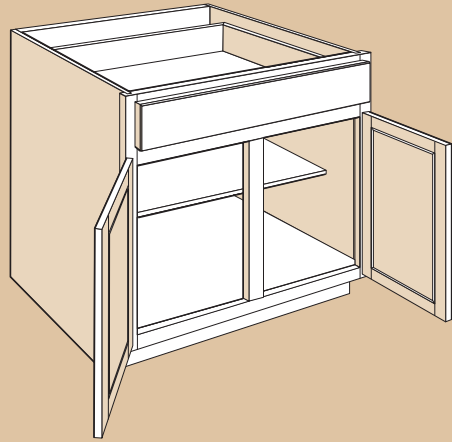
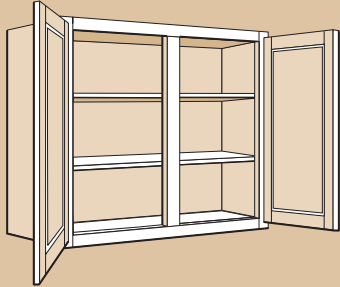


Index



	Code	Spec	Pricing
A			
Acanthus Capital	ASC	228	109
Acanthus Insert Molding	AS18	216	106, 107
Acanthus Leaf Onlay	ALO	229	109
Acanthus Onlay	ASPO	228	109
Accent Turned Leg	ATL	223	110
All Plywood Construction Option	APC	54	4
Angle Crown Molding	ACM8	214	106, 107
Angled Outside Corner Molding	AOSC8	219	106, 107
Appliance Garage	AG/AGS	95	94
Appliqué Valance	VA__D	96	95
Arched Valance	VA__C	96	95
Aster Decorative Block	FB/BB ASTER	211	103
Asymmetrical Base Easy Reach	BER3336/BER3633	134	58
Asymmetrical Base Super Susan Plastic Spin	BSS3336/BSS3633	136	58
Asymmetrical Base Super Susan Wood Spin	BSS3336 WD/BSS3633 WD	135	58
B			
Base Bookshelves	BS2434__	151	98
Base Cabinet, No Drawer	TB9	100	34
Base Cabinet, No Drawer with Tray Divider and Shelf	TB9 TDS	100	34
Base Cabinet, One Factory Installed Wastebasket	BWBT15	108	38
Base Cabinet, Standard	B__	100	34
Base Cabinet, Two Factory Installed Wastebaskets	BWBT__-2	109	38
Base Cabinet, Universal Design	B__UD	194	76
Base Cabinet Construction		41	—
Base Cabinet with Cutting Board Door Rack Kit	B18 CBDR	108	38
Base Cabinet with Deep Dovetail Sliding Shelves	B__DSS2	106	38
Base Cabinet with Deep Dovetail Sliding Shelves and Factory Installed Drawer Organizer	B__DSS2 CC/CD/CHB/KS/KSCC/SDI/WTCD	118	40-53
Base Cabinet with Factory Installed Drawer Organizer	B__CC/CD/CHB/KS/KSCC/SDI/WTCD	110	40-53
Base Cabinet with Factory Installed Roll Out Tray Divider	B__ROTD	108	38
Base Cabinet with Plastic Bag Door Storage Kit	B__PBDSU__	108	38
Base Cabinet with Sliding Shelves	B__SS1/SS2	103	36
Base Cabinet with Sliding Shelves and Factory Installed Drawer Organizer	B__SS__CC/CD/CHB/KS/KSCC/SDI/WTCD	113	40-53
Base Column Filler	B__C32734	209	104
Base Corner Filler	BCF27	207	104
Base Corner Overlay Filler	BOF3X3	207	105
Base Decorator Matching Doors	DMDB	204	78
Base Easy Reach	BER33/BER36	134	58
Base Easy Reach, Asymmetrical	BER3336/BER3633	134	58
Base End Angle	BEA__	139	58
Base End Panel	BEP34__	201	102
Base Filler Pull Out	BFP3	143	95
Base Microwave Cabinet	BMC__	139	54
Base Oven Cabinet Universal	BOCU__	139	95
Base Pantry Pull Out	BPP9	100	34
Base Pot and Pan Organizer Cabinet	B__BPPO	109	38
Base Pot and Pan Organizer Kit	BPPOK__	143	96
Base Recycling Kit	BR2B15	143	96
Base Spice Drawer Cabinet	BSDC6	138	95
Base Super Susan Plastic Spin	BSS33/BSS36	135	58
Base Super Susan Plastic Spin, Asymmetrical	BSS3336/BSS3633	136	58

	Code	Spec	Pricing
B			
Base Super Susan Wood Spin	BSS33 WD/BSS36 WD	135	58
Base Super Susan Wood Spin, Asymmetrical	BSS3336 WD/BSS3633 WD	135	58
Base Toe Kick	BTK8__	212	110
Base Turned Leg	BTL	223	110
Base Wine Rack Cabinet	BWRC6	138	95
Batten Molding	BM8 WD	217	106, 107
Batten Molding, Builder	BM8 BLD	221	108
BEA12 Decorator Matching Doors	DMDBEA12	204	78
BeautyGuard Finishing System		42	—
Black Accessory Finish	__BLACK	53	—
Blind Corner Base	BLB__	132	58
Blind Corner Base Installation Chart		132	—
Blind Corner Closure	BLC1515	203	102
Blind Peninsula Corner Base	PBC24__	133	58, 59
Blind Peninsula Corner Base Installation Chart		133	—
Blind Peninsula Wall Cabinet	BLPW24__	83	28
Blind Peninsula Wall Cabinet Installation Chart		85	—
Blind Wall Cabinet	BLW__	78	24
Blind Wall Cabinet Installation Chart		82	—
Bookcase	BC__48	98, 151	92
Bookshelves, Base	BS2434__	151	98
Bookshelves, Tall	BS__	150	98
Bookshelves, Wall	BS__	151	98

C

Cabinet and Drawer Features		36	—
Cabinet Angle Molding	CAM8	220	106, 107
Cabinet Care		42	—
Cabinet Dimensions		44	—
Cabinet Front Only Option	CFO	58	4, 5, 6
Cabinet Specifications		37	—
Cabinet Tray Divider	TD3	145, 164, 171	96
Center Beaded Insert Molding	CBE8	217	106, 107
Chair Rail Molding	CR8	215	106, 107
Chopping Block Kit	CHBK__	140	96
Classic Crown Molding	CCM8 VNR	213	106, 107
Column Fillers	__C	209	104
Construction and Door Styles Chart		6	—
Construction Comparison Chart		55	—
Construction Options		51	4, 5, 6
Construction Options Legend		52	—
Contents, Specification Guide		3	—
Corner Appliance Garage	AG2418/AG2718	95	94
Corner Base, Plastic Spin	CBS36	136	58
Corner Base, Wood Spin	CBS36 WD	136	58
Corner Base Carousel	CAR36	137	58
Corner Lazy Susan	CLS45F	145	96
Corner Sink Base	CSB36	126, 137	58
Corner Sink Front	CSF36/CSF42	126, 137	58
Corner Wall Cabinet	CW__	86	28
Corner Wall, Plastic Spin	CWS2430__	88	28
Corner Wall, Wood Spin	CWS24__WD	87	28
Corner Wall with Tambour, Plastic Spin	CWTS2448	89	28

	Code	Spec	Pricing
C			
Corner Wall with Tambour, Wood Spin	CWTS2448 WD	88	28
Countertop Edge Molding	CTM8 WD	215	106, 107
Counter Support	CS12	145	96
Cover Cap	COVER CAP__	230	110
Crown Molding	CM8 WD	213	106, 107
Crown Molding - Builder	CM8 BLD	220	108
Crown Valance	V__CR	96	95
CushionClose for Doors	CUSH CLOSE DR BUFFER	98, 145, 164, 186, 198	94
CushionClose Glide Option		59	4
Cutlery Divider Kit	CDK__	142	96
Cutting Board Door Rack Kit	CBDRK18	144	96
Cutting Center Kit	CCK__	140	96
D			
Decorative Blocks	FB/BB	210	103
Decorative Hardware	KNOBS/PULLS	233	121, 122
Decorative Inside Corner Molding	ICM8	219	106, 107
Decorator Door Clips	CLIP DGI BAG__	34, 230	110
Decorator Matching Doors	DMD__	204	78
Deep Dovetail Sliding Shelf, Base	DSSK__	142	96
Deep Dovetail Sliding Shelf, Desk	DSSK__	152	96, 98
Deep Dovetail Sliding Shelf, Oven	DSSK__	171	96
Deep Dovetail Sliding Shelf, Utility	DSSK__	164	96
Deep Dovetail Sliding Shelf, Vanity Linen	DSSK__21	191	99
Deep Dovetail Sliding Shelf Kit, Utility	DSSK__-4	164	100
Deep Dovetail Sliding Shelf Kit, Vanity Linen	DSSK__21-4K	191	99
Deep Sink Base Cabinet	DSB__	125	54
Deep Wood Tall End Panel	DWTEP__	203	102
Dentil Molding	DM8 WD	216	106, 107
Dentil Pilaster Molding	DPM8 WD	218	106, 107
Desk Decorator Matching Doors	DMDD__	204	78
Desk Door Cabinet	DDO__	148	60
Desk Drawer Cabinet	DDR__	149	60
Desk End Panel	DEP	151, 186, 200	102
Desk File Drawer Cabinet	DFD18__	148	60
Dishwasher Decorator Matching Doors	DMDAP/T	205	78
Dishwasher Insert Panel	DIP	203	102
Dishwasher Return	DWR3	200	102
Door/Drawer Overlay Specifications	FOL/SOL	39	—
Door Styles		4	4, 5, 6
Double Oven Cabinet	OVD__	169	68
Dovetail Full Access Drawer Option		59	5
Drawer Base Cabinet	DB__	120	34
Drawer Base Cabinet with			
Factory Installed Drawer Organizer	DB__CC/CD/CHB/KS/KSCC/SDI/WTCD	121	40-53
Drawer Base Cabinet, Universal Design	DB__UD	196	76
Drop-In Range Front	DORF30	145	96
Dummy Drawer Front Fastener	DDF FASTENER	230	110

	Code	Spec	Pricing
E			
Egg and Dart Molding	EDM8	215	106, 107
End Panels	__EP	201	102
F			
File Base Drawer Kit	FBDK18	152	98
Filler, Base Column	BBC/BFC/BPC	209	104
Filler, Base Corner	BCF27	207	104
Filler, Fluted Beaded 3"	FBF3	208	104
Filler, Fluted Beaded 6"	FBF6	208	104
Filler, Universal	UF/OVSF	206	105
Filler Extension, Fluted Beaded	FBF E3	208	104
Filler Extension, Universal	UF E3	206	105
Filler Overlays	__OF	207	105
Filler, Tall Column	TBC/TFC/TPC	209	104
Filler, Wall Column	WBC/WFC/WPC	209	104
Finished Paneling	FP__	202	102
Finished Shelf	FS__	97	94
Finishing Systems Specifications		42	—
Fluted Beaded Filler	FBF__	208	104
Fluted Beaded Filler Extension	FBF E__	208	104
French Carved Leg	FCL	223	110
Full Access Hidden Glides System		38	119
Full Turned Post, Beaded	POST234 B	224	110
Full Turned Post, Fluted	POST234 F	224	110
G			
Glass Inserts	DGI__	30	93
Glass Shelf Kit	GSK	97	94
Grape Onlay	GRPO	227	109
Grooved Base End Panel	BEP34 GROOVED	201	102
Grooved Finished Paneling	FP__ GROOVED	202	102
Grooved Tall End Panel	TEP__ GROOVED	202	102
Grooved Wall End Panel	WEP__ GROOVED	201	102
H			
Hardware, Decorative	KNOBS/PULLS	233	121, 122
Hardware Specifications		38	—
Heat Shield Kit	HSK	146, 172	100
Hinges		38	119
I			
Increased Depth Cabinet Option	ID	56	4, 5, 6
Inset Light Rail Molding	ILR8	214	106, 107
Inside Corner Molding	QM8 WD	219	106, 107
Inside Corner Molding, Builder	QM8 BLD	221	108
Installation Items	SCREWS/CAPS	230	110
Installed Height Guidelines		48	—
Inverted Frame Cabinet Option	IF	56	4, 5, 6
Ivy Insert Molding	IVI8	215	106, 107

	Code	Spec	Pricing
K			
Keyboard Tray	KBT30	152	98
Kneehole Drawer Cabinet	KDC__	151, 186	60
Knife Section Cutting Center Kit	KSCCK__	141	96
Knife Section Kit	KSK__	141	97
L			
Large Acanthus Corbel	AC313	228	109
Large Grape Corbel	GC313	227	109
Large Grape Ornament	LGO	227	109
Large Rope Molding	LRM8 WD	215	106, 107
Large Rosette Corbel	RC313	226	109
Large Shell Ornament	LSO	226	109
Legs, Decorative	__L	223	110
Library Molding	LBM8	215	106, 107
Light Rail Molding	LR8	214	106, 107
M			
Matching Interior Cabinet Option	MI	58	4, 5, 6
Medicine Cabinet	MC/MCM	185	74
Microwave Wall Cabinet	WCMSC/WMSC	71	18
Mirror Molding	MM6	214	106, 107
Moldings	__8/__6	213	106-108
Mullion Frame Doors	__ MFD	30	—
O			
Ogee Molding	OGE8	217	106, 107
Ogee Pilaster Molding	OGP8	218	106, 107
Open Frame Doors	__ OFD	30	—
Outside Corner Molding	OCM8	219	106, 107
Outside Corner Molding, Builder	OCM8 BLD	221	108
Oven Cabinets, Base Universal	BOCU__	139	95
Oven Cabinets, Double	OVD__	169	68
Oven Cabinets, Single	OVS__	165	68
Oven Cabinet, Universal Design	OVS3384 UD	197	76
Oven Support Shelf	OSS__	171	100
Overlay Fillers, White	__OF	207	105
Overlay Fillers, Wood	__OF	207	105
P			
Pantry Door Shelf Kit	PDSK18	162	100
Pantry Swing-Out Kit	PCSK36	162	100
Peninsula Base Cabinet	PB__	131	34
Peninsula Corner Wall Cabinet	PWCW24__	90	32
Peninsula Wall Cabinet	PW__	74	20
Plastic Bag Door Storage Kit	PBDSU__	144	97
Plastic Tilt-Out Tray Kit	TO TRAY__	144, 186	97
Plate Rail Molding	PRM6 WD	214	106, 107
Plinth Decorative Block	FB/BB PLINTH	211	103
Plywood Veneered Sides Option	PVS	54	4, 5
Premium Finish Cabinet Option		53	4, 5
Putty Stick & Marker	PUTTY STICK/TU MARKER	231	111
Pyramid Decorative Block	FB/BB PYRAMID	210	103

	Code	Spec	Pricing
Q			
Quarter Round Molding	QR8	220	106, 107
R			
Range Hood	RH__	93	92
Range Hood, Classic	RH__CL	93	92
Range Hood, Tall Beadboard	RH__CLF	94	92
Range Hood, Tall Decorative Wood	RH__F	94	92
Range Hood Decorator Matching Doors	DMDRH__	204	78
Range Hood Vent & Light Kit	VENT 250	94	92
Range Hood Vent & Light Kit, Recirculating	VENT 250R	94	92
Reduced Depth Cabinet Option	RD	57	4, 5, 6
Refrigerator Return Panel	RR__	203	102
Refrigerator Wall Cabinets	W__ X 24 DP	69	18
Roll Out Tray Divider	ROTDK__	143	97
Rope Molding	RM8 WD	216	106, 107
Rosette Decorative Block	FB/BB ROSETTE	210	103
S			
Scalloped Valance	VAL__	96	95
Screw Cover Caps	COVER CAP__	230	110
Screws, Installation	SCREW INST 2.5 BX100	230	110
Scribe Molding	SM8 WD	220	106, 107
Shaker Accent Molding	SAM8 WD	217	106, 107
Shaker Valance	VA__SH	97	95
Shelf and Pilaster Kit	PSK36	163	100
Shelf, Adjustable	S__	163, 191	99 - 100
Shelf End Base	SEB	138	95
Shelf End Peninsula Base	SEPB	138	95
Shelf End Wall	SEW__	93	92
Shelf, Finished	FS__	97	94
Shelf Kit, Adjustable	SK__	163, 191	99, 101
Shelf Rests	SHELF RESTS	38, 230	110
Shelf Under Cabinet	SUC36T	97	94
Shelf Under Cabinet Organizer	SUCO__	95	94
Shell Onlay	SHPO	226	109
Shoe Molding, Builder	SHM8 BLD	221	108
Side-Mounted Drawer Glides		38	119
Single Bead Accent Molding	SBAM8 WD	217	106, 107
Single Bead Molding	SBM8	218	106, 107
Single Oven Cabinet	OVS__	165	68
Single Oven Cabinet with Base Pot and Pan Organizer	OVS__BPPO	167	68
Sink Base Door Storage Unit	SBDSU__	144	97
Sink Base Multi-Storage Cabinet	SBMS3__1B STO	130	54
Sink Base Multi-Storage Shelf	SBMSS	144	97
Sink Base, Universal Design	SB__UD	196	76
Sink Base with Factory Installed Tilt-Out Tray(s)	SB__STO/TO	128	56
Sink/Range Base Cabinets	SB__	124	54
Sink/Range Fronts	SF__	126	54
Sink/Vanity Front Floor	FL__	200	103
Sink/Vanity Front Return	SFR__	200	103
Sliding Shelf, Base	SSK__	142	97
Sliding Shelf, Desk	SSK__	152	97, 98

	Code	Spec	Pricing
S			
Sliding Shelf, Oven	SSK__	171	97
Sliding Shelf, Utility	SSK__	163	97
Sliding Shelf, Vanity Linen	SSK__21	191	99
Sliding Shelf Kit, Utility	USS__4K	163	101
Sliding Shelf Kit, Vanity Linen	USS__21-4K	191	99
Sliding Towel Bar	STB	145	97
Small Acanthus Corbel	AC58	228	109
Small Dentil Insert Molding	SDE8 WD	216	106, 107
Small Grape Corbel	GC58	227	109
Small Grape Ornament	SGO	227	109
Small Rosette Corbel	RC58	226	109
Small Shell Ornament	SSO	226	109
Small Single Bead Molding	SSBM8	218	106, 107
Soffit Crown Molding	SCM8 WD	213	106, 107
Soffit Spacer	SOF96	220	106
Spice Drawer Cabinet	SDC__	92	92
Spice Drawer Insert Kit	SDIK__	142	97
Spice Rack Kit	SRK__	98	94
Split Post	SPLT POST80__	224	110
Stain	STAIN	231	111
Stainless Tilt-Out Tray Kit	STO TRAY__	144, 186	97
Standard Cabinet Specifications		35	—
Stem Glass Holder	SGH36U	98	94
Straight Appliance Garage	AGS24	95	94
Straight Trim Molding	UM8 WD	219	106, 107
Straight Trim Molding, Builder	UM8 BLD	221	108
Straight Valance	VA__	97	95
Swirl Insert Molding	SWI8	216	106, 107
T			
Tall Acanthus Capital	TASC	228	109
Tall Bookshelves 84" High	BS__84	150	98
Tall Bookshelves 90" High	BS__90	150	98
Tall Bookshelves 96" High	BS__96	150	98
Tall Column Filler	T__C	209	104
Tall Decorator Matching Doors	DMDT__	205	78
Tall End Panel	TEP__	202	102
Tapered Leg	TPL	223	110
Tilt-Out Tray Kit, Plastic	TO TRAY__	144, 186	97
Tilt-Out Tray Kit, Stainless	STO TRAY__	144, 186	97
Toe Kick	BTK8__	212	110
Toe Kick, Universal Design	BTK8__UD	212	110
Touch Up Kit	TOUCHUP KIT	231	111
Touch Up Materials	PUTTY STICK/STAIN/TU MARKER	231	111
Traditional Classic Crown Molding	TCCM8 WD	213	106, 107
Traditional Light Rail Molding	TLR8	214	106, 107
Traditional Split Block	SPLT BLOCK2__T	225	110
Traditional Split Collar	SPLT COLLAR T	225	110
Traditional Valance	V__T	97	95
Tray Divider, Cabinet	TD3	145, 164, 171	96
Triple Bead Accent Molding	TBAM8 WD	217	106, 107
Triple Bead Edge Molding	TBE8	216	106, 107

	Code	Spec	Pricing
T			
Triple Bead Molding	TBM8	218	106, 107
Tri-View Mirror	TV__	185	99
TuffTech Finishing System		42	—
U			
Universal Design Base Cabinet	B__UD	194	76
Universal Design Base Multi-Use	BMU30 UD	197	76
Universal Design Base Plumbing Skirt	BPS__UD	196	76
Universal Design Base with Deep Dovetail Sliding Shelves	B__DSS2 UD	196	76
Universal Design Base with Sliding Shelves	B__SS__UD	195	76
Universal Design Corner Base Susan	CBS36 UD	197	76
Universal Design Drawer Base	DB__UD	196	76
Universal Design Oven Cabinet	OVS3384 UD	197	76
Universal Design Sink Base	SB__UD	196	76
Universal Design Toe Kick	BTK8__UD	212	110
Universal Design Vanity Plumbing Skirt	VPS__UD	196	76
Universal Filler	UF__	206	105
Universal Filler Extension	UF E__	206	105
Universal Scribe Molding, Builder	USM8 BLD	221	108
Utility Base	UB60	126	55
Utility Cabinet	UT__	154	62
Utility Cabinet Accessories	S, SK, SSK, DSSK	163	96-97, 100-101
Utility Cabinet Shelf & Pilaster Kit	PSK36	163	100
Utility Cabinet with Adjustable Shelves	UT__AS	156	64
Utility Cabinet with Deep Dovetail Sliding Shelves	UT__4DSSK	160	66
Utility Cabinet with Pantry Storage	UT__PCDS	161	66
Utility Cabinet with Sliding Shelves	UT__4SSK	159	66
V			
Valances	V/VA/VAL	96	95
Valet Cabinet	VC__	185	74
Vanity Base, 31 1/8" High	VB__	174	72
Vanity Base, 34 1/2" High	VB__34H	180	74
Vanity Combo Sink Base, 31 1/8" High	VSDB__	177	70
Vanity Combo Sink Base, 34 1/2" High	VSDB__34H	183	72
Vanity Decorator Matching Doors	DMDV	204	78
Vanity Drawer Base, 31 1/8" High	VDB__	174	72
Vanity Drawer Base, 34 1/2" High	VDB__34H	180	74
Vanity Linen Cabinet	VLC__	187	74
Vanity Linen Cabinet Accessories	S, SK, SSK, DSSK	191	99
Vanity Linen Cabinet with Adjustable Shelves	VLC__AS	188	74
Vanity Linen Cabinet with Deep Dovetail Sliding Shelves	VLC__4DSSK	190	74
Vanity Linen Cabinet with Sliding Shelves	VLC__4SSK	189	74
Vanity Sink Base, 31 1/8" High	VSB__/_VAN__	175	70
Vanity Sink Base, 34 1/2" High	VSB__34H/_VAN__34H	181	72
Vanity Sink Front	VSF__	179	70
Void Door Cabinet Option	VDO__	59	4, 5, 6

	Code	Spec	Pricing
W			
Wall Bookshelves 48"	BS__48	151	98
Wall Bookshelves 60"	BS__60	151	98
Wall Cabinet, Microwave	WCMSC/WMSC	71	18
Wall Cabinet, Refrigerator	W__X 24 DP	69	18
Wall Cabinet, Standard	W__	62	8
Wall Cabinet Construction		40	—
Wall Cabinet with Spice Rack	W__SR	68	10
Wall China Cabinet	WCC__	93	92
Wall Column Fillers	W__C	209	104
Wall Decorator Matching Doors	DMDW__	204	78
Wall Easy Reach	WER24__	89	32
Wall End Angle Cabinet	WEA12__	91	32
Wall End Panel	WEP__	201	102
Wall Top Hinge Cabinet	WTH__	70	18
Warranty Information		251	—
Wastebasket Unit	WBU15	143	97
White Overlay Filler	__OF__	207	105
Wide Batten Molding	WBM8	219	106, 107
Wine Rack	WR36	98	94
Wine Rack Cabinet	WRC__	92	92
Wine Storage Cabinet	WSC__	92	92
Wood Base End Panel	WBEP	203	103
Wood Overlay Filler	__OF__	207	105
Wood Species & Materials Specifications		43	—
Wood Tall End Panel	WTEP__	203	103
Wood Tiered Cutlery Divider Kit	WTCDK__	141	97

